
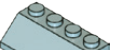


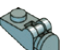


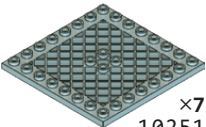


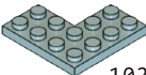
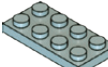
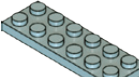
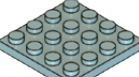
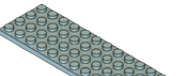
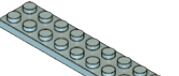
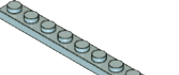







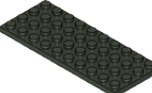

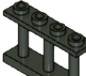





















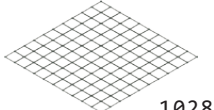


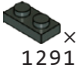
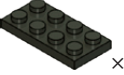


▼ In the boxes below, please enter the quantity of each piece you need. ▼




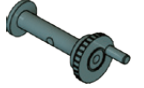



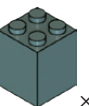
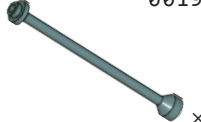
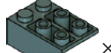
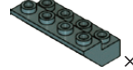
L
T
G
R
A
Y

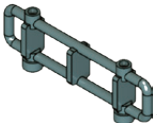








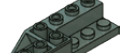


-  x3 00040
-  00041
-  x5 00122
-  10151
-  x2 10178
-  x2 10179
-  x4 10250
-  x7 10251
-  x3 10258
-  x4 10259
-  10294
-  x2 12925
-  x2 12926
-  12930
-  12934
-  x9 15148
-  24545


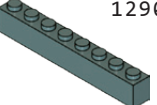

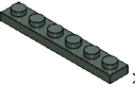

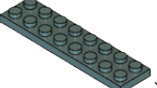
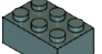
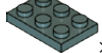

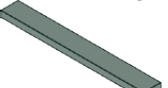
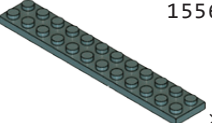
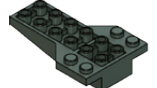
B
L
A
C
K

-  x4 00034
-  00083
-  00169
-  x2 00180
-  x3 00225
-  00316
-  x4 00339
-  x4 00478
-  00565
-  10134
-  x3 10163
-  x4 10176
-  10198
-  10199
-  10200
-  10202
-  10207
-  10208
-  10214
-  10215
-  10217
-  10221
-  10238
-  10239
-  x2 10240
-  x2 10241
-  x4 10247
-  x4 10250
-  x8 10262
-  10282
-  10293
-  x2 12260
-  x4 12916
-  x3 12925

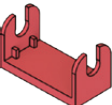





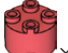


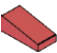

**D
K
G
R
A
Y**




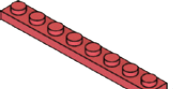
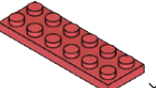



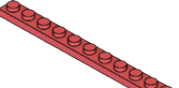
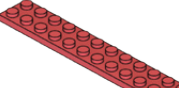
-  x3
- 
- 
- 
-  x5
-  x3
-  x2
-  x3
-  x2
-  x4
-  x4

-  x2
- 
-  x4
-  x2
-  x2
-  x12
-  x4
-  x2
- 
- 
-  x2
-  x2


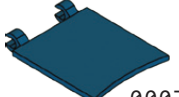



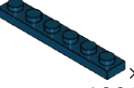
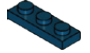
- 
- 
-  x2
-  x2
-  x2
-  x4
- 
-  x2
- 
-  x4
-  x2
- 

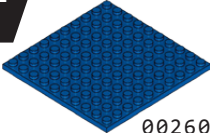

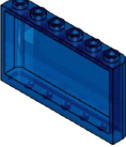
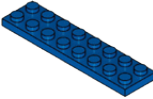
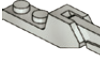














**R
E
D**

- 
- 
-  x10
-  x5
- 
-  x4
-  x29
- 
-  x2
- 
- 

- 
-  x2
-  x2
-  x2
-  x2
-  x3
-  x2
-  x3
- 
- 

**D
K
B
L
U
E**

-  x2
- 
- 
-  x2
-  x4
-  x2
- 

B L U E	 00260 <input type="checkbox"/>	S I L V E R	 00095 <input type="checkbox"/>	C L R B L U E	 00554 <input type="checkbox"/>
	 x6 12927 <input type="checkbox"/>		 x2 24409 <input type="checkbox"/>		 10049 <input type="checkbox"/>
C L R W A R M G R A Y	 10045 <input type="checkbox"/>	C L R Y E L L O W	 x4 00158 <input type="checkbox"/>	C L R R E D	 x2 00219 <input type="checkbox"/>
	 10183 <input type="checkbox"/>		 x3 15015 <input type="checkbox"/>		 x4 10180 <input type="checkbox"/>
B R O N Z E	 x3 10157 <input type="checkbox"/>	W H I T E	 15370 <input type="checkbox"/>	C L R L T B L U E	 10183 <input type="checkbox"/>
			 x2 15569 <input type="checkbox"/>		 x2 10264 <input type="checkbox"/>
		C L R G R E E N	 x2 00219 <input type="checkbox"/>		 10209 <input type="checkbox"/>

Please enter your **contact** information below.

NAME

ADDRESS

PHONE E-MAIL

Please enter your **shipping** information below (if different).

NAME

ADDRESS

TOTAL PIECES NEEDED:

Please mail to:
Hasbro Promotions and Direct
P.O. Box 693
Pawtucket, RI 02862-0693

Or, fax to **401-431-8082**

Questions? Call 1-800-255-5516

PRODUCT AND COLORS MAY VARY.
 © OXFORD. © 2012 HASBRO. ALL RIGHTS RESERVED. TM & ® DENOTE U.S. TRADEMARKS.

